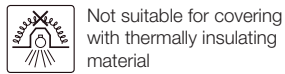
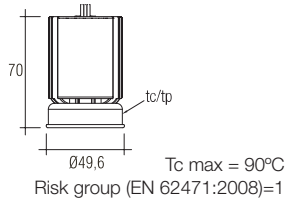
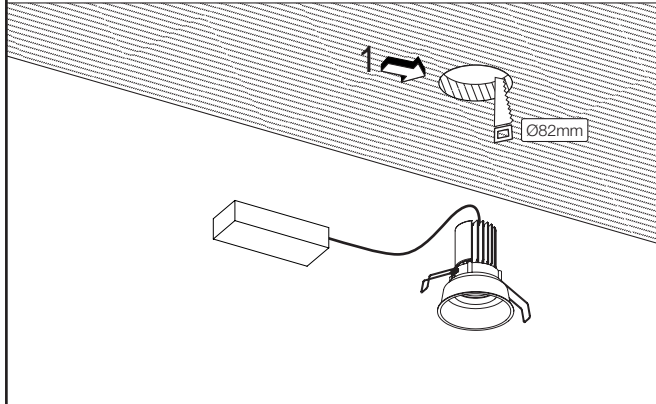


INSTALLATION INSTRUCTIONS



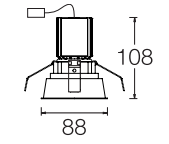
NOTES AND SAFETY INSTRUCTIONS

General safety instructions: information on restrictions related to use of the light fixtures (class, IP, etc.) can be found both on the fixture label and on our website at www.rovasi.com.

The wiring schematics can be found on page 2 of the document.

Electronic equipment:
S: ON / OFF
D: DALI/DSI/switchDIM/corridorFUNCTION
P: Phase-cut
SE: ON / OFF + Emergency-Kit [class I]
DE: DALI/DSI/SwitchDIM/corridorFUNCTION+E-Kit [class I]
DDE: DALI/DSI/SwitchDIM/corridorFUNCTION+E-Kit (DALI) [class I]

* Add any of the above suffixes after the reference to indicate your electronic equipment choice.

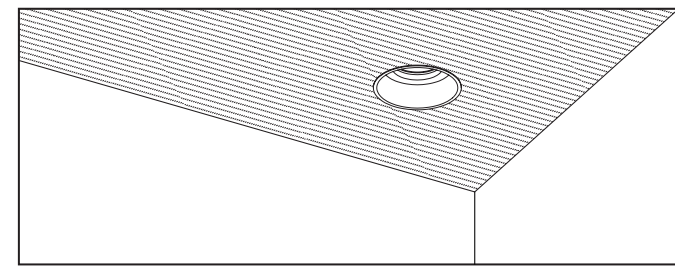
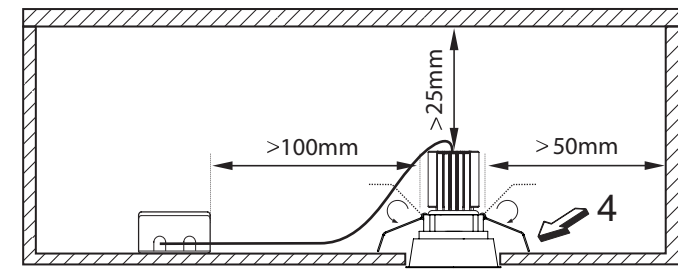
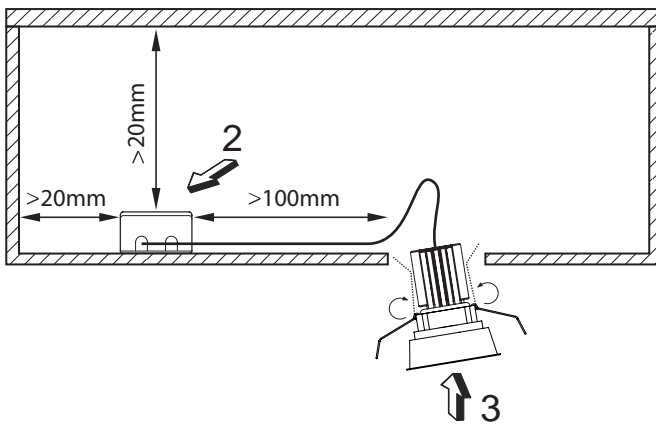
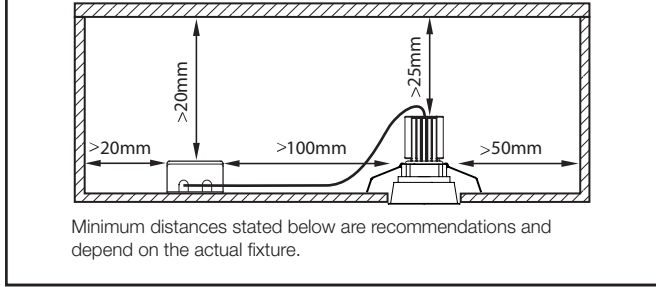


10W / 300mA

163BSM-R648
 163BSM-R649
 163BSM-R650
 163BSM-R665
 163BSM-R666
 163BSM-R667

ACCESSORIES

+IP 	IP44
	M2.A0088



LED technology and performance data are constantly changing. Current details should therefore be checked with ROVASI in order to ensure that it is still the most up to date reference. Updated data will be supplied on request. [14.09.2017]



BSI Cert ISO 9001:2015 - n°FM 39346
 BSI Cert ISO 14001:2015 - n°EMS 55468

ROVASI S.L.
 Nàpols, 113-115
 08013 Barcelona

Contacte
 T. 34 93 881 35 12 info@rovasi.com
 T. 34 93 881 37 13 www.rovasi.com

Installation instructions. Mains supply wires

- Wiring type and cross section
- Solid wire a cross section of 0,5 -1,5mm². Strip 8,5-9,5 mm of insulation from the cables to ensure perfect operation of terminals.
- Use one wire for each terminal connector only.
- Use each strain relief channel for one cable only.
- Installation may require advice from a qualified person.
- Single lights apt for inner use (no outer)

Wiring guidelines

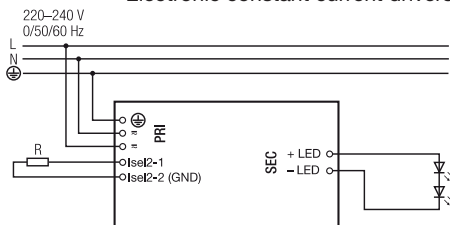
- All connections must be kept as short as possible to ensure good EMI behaviour.
- The cables should be run separately from the mains connections and mains cables to ensure good EMC conditions.
- The LED wiring should be kept as short as possible to ensure good EMC.
- The max. secondary cable length is 2m (4m circuit). Secondary switching is not permitted.
- Incorrect wiring can damage LED modules.
- The LED Driver has no inverse-polarity protection on the secondary side. Wrong polarity can damage led modules with no inverse-polarity protection.

- Earth connection is recommended to improve following behaviour.
- Electromagnetic interferences (EMI)
- Transmission of mains transients to the LED output.

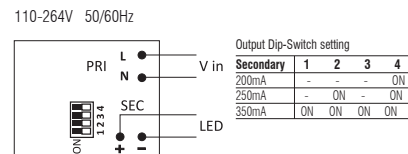


Release of the wiring
Press down the "push button"
and remove the cable from front

Circuit diagram **S: ON/OFF**
Electronic constant current drivers

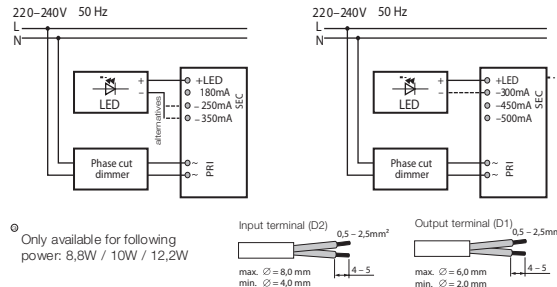


Circuit diagram **A: ** 0-10V / 1-10V[⊙] [to consult]**

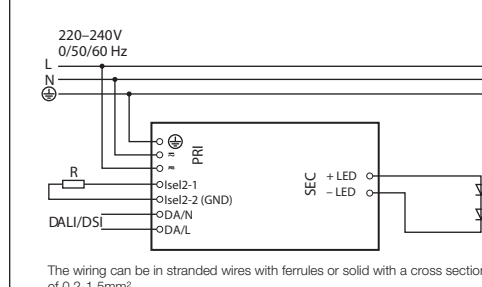


⊙ Only available for following power: 6,6W / 8,8W / 12,2W
**** Not EAC**
Screwable terminals connection 2,5mm²

Circuit diagram **P: Phase cut[⊙]**



Circuit diagram **D: DALI/DSI/SwitchDIM/corridorFUNCTION**



Maximum lead length LED 3m[⊙]

Status indication LED 1m
Batteries 1,3m
Insulation and electric strength testing of luminaires

⊙ Note: The length of LED module must not be exceeded. Note that the length of the EM converterLED leads to the LED module will be added to the length of the leads from the control gear to the EM converterLED module when considering the lead length of the control gear. Leads should always be kept as short as possible.

Wiring guidelines

The LED terminals, battery, indicator LED and test switch terminals are classified as SELV (output voltage <60V DC).

Keep the wiring of the input terminals separated from the wiring of the SELV equivalent terminals or consider special wiring (double insulation, 6mm creepage and clearance) when these connections should be kept SELV.

The output to the LED is DC but has high frequency content, which should be considered for good EMC compliance.

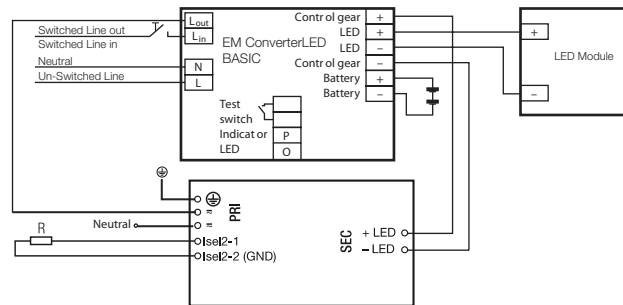
LED leads should be separated from the mains connections and wiring for good EMC performance. Maximum lead length on the LED terminals in 3m. For a good EMC performance keep the LED wiring as short as possible.

Maximum lead length for the Test switch and indicator LED connection is 1m. The test switch and indicator LED wiring should be separated from the LED leads to prevent noise coupling. Battery leads are specified with 0.5mm cross section and a length of 1.3m.

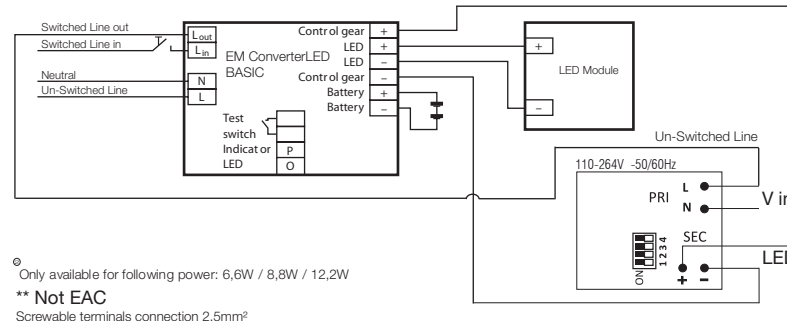
EM: Electromagnetic
EMC: Electromagnetic Compatibility
DC: Direct current
SELV: Safety extra low voltage

Circuit diagram **SE: ON/OFF + E-KIT[class I]**

EM converterLED BASIC with a standard LED control gear and one LED module for mains and emergency operation

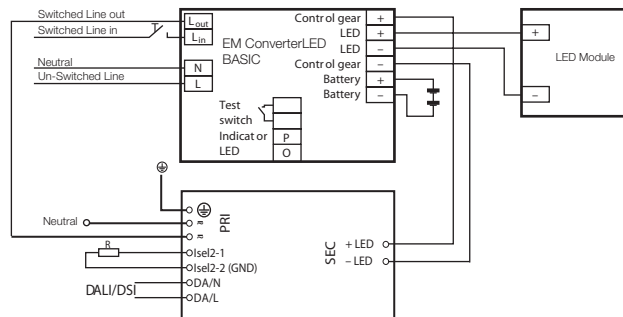


Circuit diagram **AE: ** 0-10V / 1-10V[⊙] Dimming driver + E-KIT[class I] [to consult]**



Circuit diagram **DE: DALI Dimming driver + E-KIT[class I]**

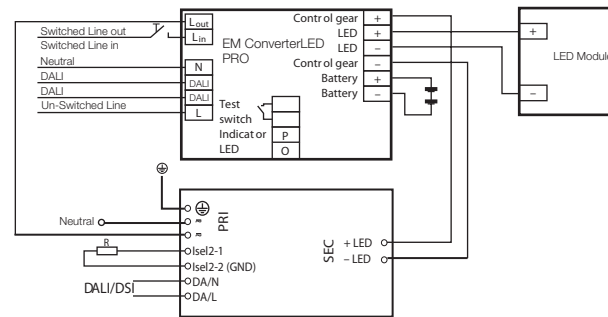
EM converterLED BASIC with a standard LED control gear and one LED module for mains and emergency operation



The wiring can be in stranded wires with ferrules or solid with a cross section of 0,2-1,5mm²

Circuit diagram **DDE: DALI Dimming driver + E-KIT(DALI)[class I]**

EM converterLED PRO with a standard LED control gear and one LED module for mains and emergency operation



The wiring can be in stranded wires with ferrules or solid with a cross section of 0,2-1,5mm²