

**NOTES AND SAFETY INSTRUCTIONS**

General safety instructions: information on restrictions related to use of the light fixtures (class, IP, etc.) can be found both on the fixture label and on our website at [www.rovasi.com](http://www.rovasi.com).

The wiring schematics can be found on page 2 of the document.

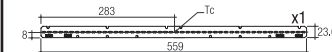
**Electronic equipment:**

- S:** ON / OFF
- D:** DALI/DSI/switchDIM/corridorFUNCTION

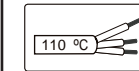
\* Add any of the above suffixes **-S, -D** after the reference to indicate your electronic equipment choice.

**ACCESSORIES**

+MODULAR L T +	L mm	—	L	⊥	+
	562 842 1122 1402 2802	M5.A	M5.K0040 M5.R0040	M5.S0040 M5.N0040	M5.T0040
	M5.E0040	M5.L0040 M5.M0040			



Tc max=85°C  
Risk group (EN 62471:2008)=1



Installation cable must support 110 °C temperature.

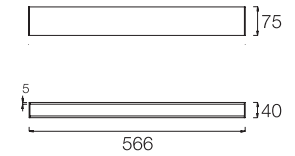
Feeding cable must be cable pipe 3x1mm² and 3x1.5mm². Installation may require advice from a qualified person.



Attention: We do recommend being installed by two people for proper safety.

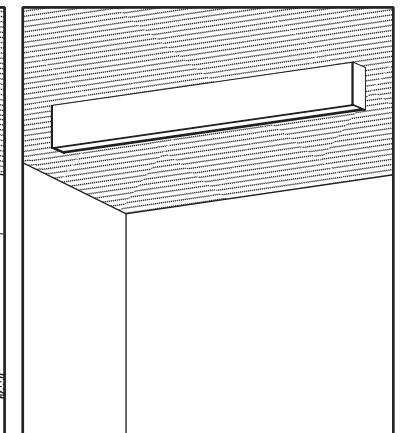
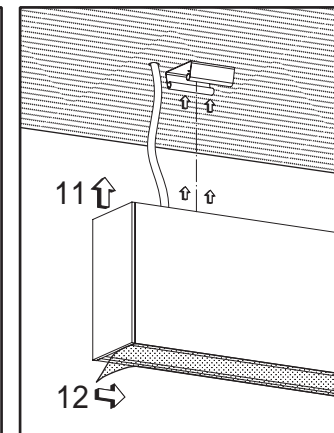
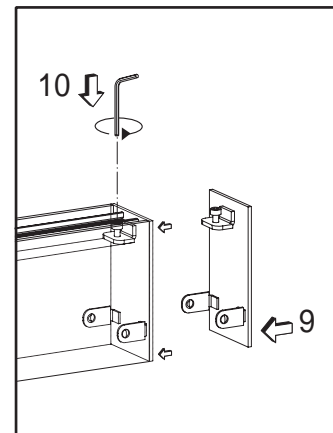
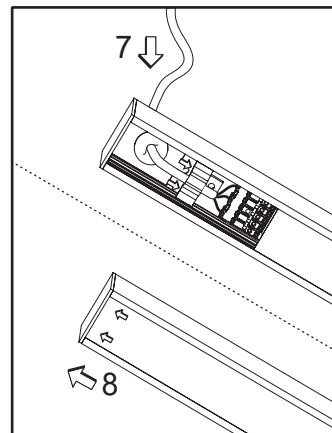
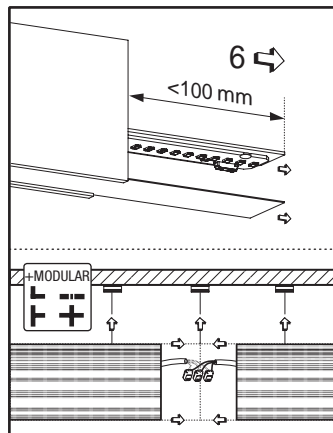
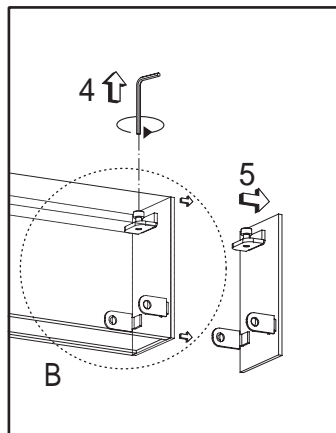


Do not accumulate excess of cable into the fixture.



10W / 250mA

- 101TRT-I388
- 101TRT-I389
- 101TRT-I390
- 101TRT-I391

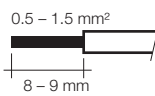


LED technology and performance data are constantly changing. Current details should therefore be checked with ROVASI in order to ensure that it is still the most up to date reference. Updated data will be supplied on request. [04.07.2017]

**Installation instructions. Mains supply wires**

- Wiring type and cross section
- Solid wire with a cross section of 0.5 – 1.5 mm<sup>2</sup>.
- Strip 8-9mm of insulation from the cables to ensure perfect operation of the push terminals.
- Use one wire for each terminal connector only.
- Use each strain relief channel for one cable only.
- Installation may require advice from a qualified person.

**Wire preparation:**



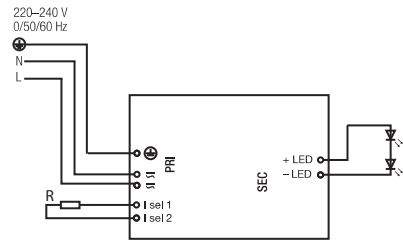
**Wiring guidelines**

- All connections must be kept as short as possible to ensure good EMI behaviour.
- Earthing is not required for the device to operate but will improve the EMI behaviour.
- The max. secondary cable length is 2m (4m circuit).
- Secondary switching is not permitted.
- Incorrect wiring can damage LED modules.

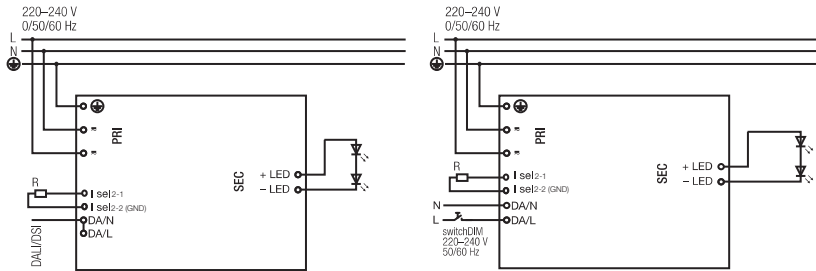
Loose wire through twisting and pulling or using a Ø1mm release tool.



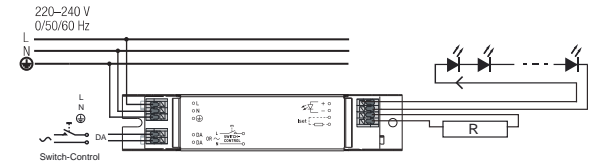
Circuit diagram **S: Standard**



Circuit diagram **D: DALI/DSI/SwitchDIM/corridorFUNCTION**



Circuit diagram **DB: DALI**



**Maximum lead length**

LED 3m<sup>Ø</sup>  
 Status indication LED 1m  
 Batteries 1.3m  
 Insolation and electric strength testing of luminaires

Ø Note: The length of LED module must not be exceeded. Note that the length of the EM converterLED leads to the LED module will be added to the length of the leads from the control gear to the EM converterLED module when considering the lead length of the control gear. Leads should always be kept as short as possible.

**DC emergency operation**

Light output level in DC operation (EOfx)100% (cannot be adjusted)  
 The voltage-dependent input current of Driver incl. LES module is depending on the used load.  
 The nominal voltage-dependent no load current of Driver (without or defect LED module) is for:  
 AC: <23.4mA (at 230V, 0Hz)  
 DC: 12-14mA (at 275-186V, 0Hz)

**Wiring guidelines**

· The LED terminals, battery, indicator LED and test switch terminals are classified as SELV (output voltage <60V DC).

Keep the wiring of the input terminals separated from the wiring of the SELV equivalent terminals or consider special wiring (double insulation, 6mm creepage and clearance) when these connections should be kept SELV.

· The output to the LED is DC but has high frequency content, which should be considered for good EMC compliance.

· LED leads should be separated from the mains connections and wiring for good EMC performance.

· Maximum lead length on the LED terminals is 3m. For a good EMC performance keep the LED wiring as short as possible.

· Maximum lead length for the Test switch and indicator LED connection is 1m.

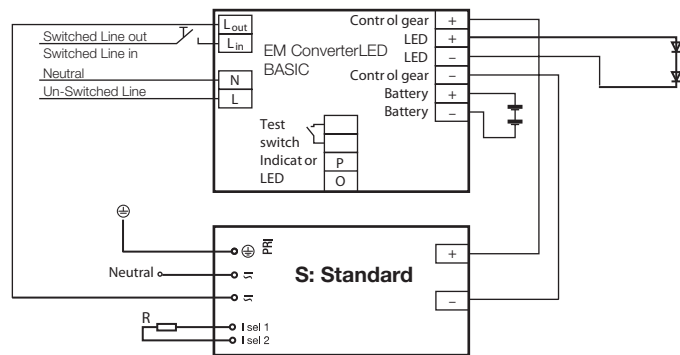
The test switch and indicator LED wiring should be separated from the LED leads to prevent noise coupling.

· Battery leads are specified with 0.5mm cross section and a length of 1.3m.

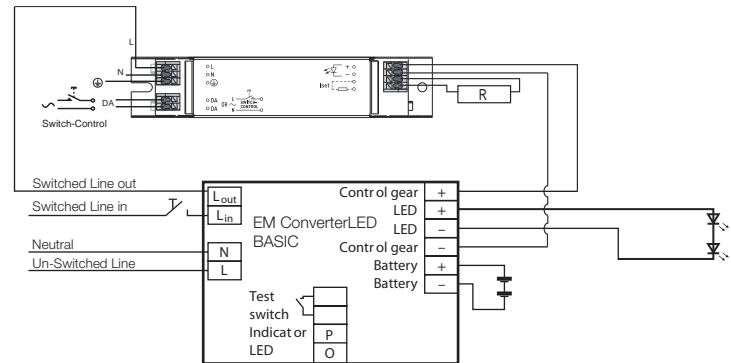
EM: Electromagnetic  
 EMC: Electromagnetic Compatibility  
 DC: Direct current  
 SELV: Safety extra low voltage

Circuit diagram **SE: Emergency kit**

EM converterLED BASIC with a standard LED control gear and one LED module for mains and emergency operation

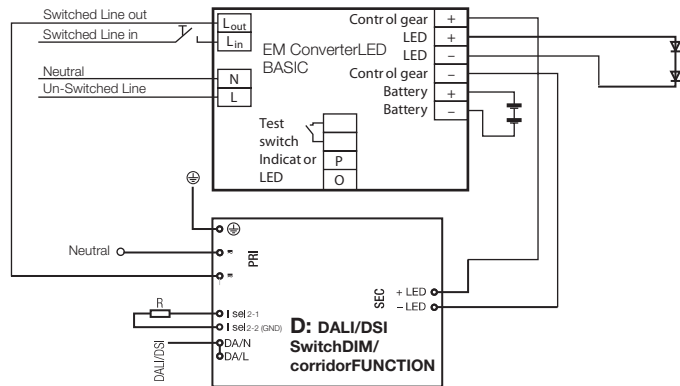


Circuit diagram **DBE: DALI + Emergency Kit**



Circuit diagram **DE: DALI/DSI/SwitchDIM/corridorFUNCTION + E-kit**

EM converterLED BASIC with a standard LED control gear and one LED module for mains and emergency operation



Circuit diagram **DE: DALI/DSI/SwitchDIM/corridorFUNCTION + E-kit**

