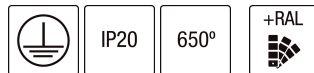
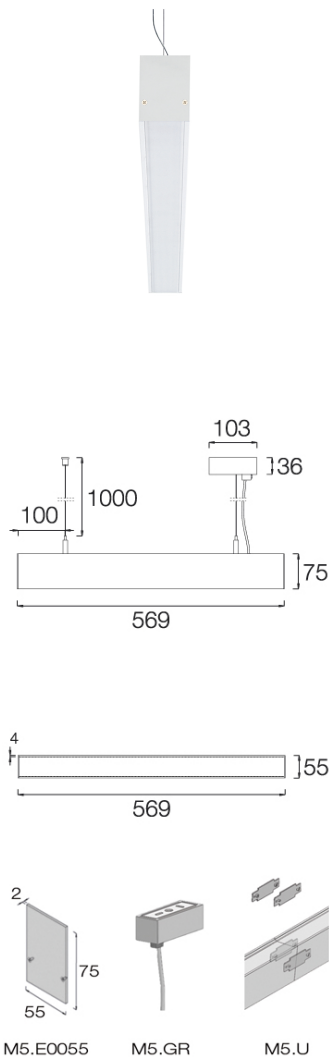


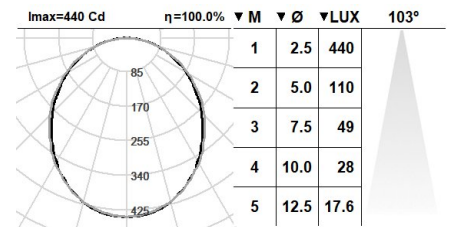
451RNA.1-I2464



Pendant linear fixtures with symmetrical light distribution to achieve an effective task or general lighting. Linear fixture in 569mm length and in a width of 55mm. Powder painted extruded aluminium profile available in assorted finishes, customized RAL under request. Opal polycarbonate diffuser. Highly efficient linear printed circuit board. Built-in driver, included. Electronic options for lighting control: DALI-2. The driver contained in this luminaire complies with European Directive 2009/125/EC establishing flicker limits: PstLM \leq 1 and SVM \leq 0.4. Passive temperature management. Ceiling-mounted with adjustable steel wire suspension (1 m) and transparent electrical wire. Different suspension length on request. End caps must be ordered separately, reference M5.E0055. Ceiling rose and electrical wire must be ordered separately, reference M5.GR3 [on/off] o M5.GR5 [DALI]. It is possible to combine different lengths to create customized design. The connection accessory must be ordered separately, reference M5.U.



Luminaire luminous flux: 1197lm
Luminaire connected power: 12,02 W
Luminaire efficiency: 100 lm/W
Light source luminous flux: 1995lm
Light source power: 10,82 W
Constant Current: 250 mA
CRI: >80
Colour Temperature: 3000K
Chromaticity Tolerance: MacAdam 3
Beam Angle: 103°
LOR: 60%
LED reliability at nominal Ta = 25°C: 100.000h L80B10
Photobiological safety group: 0
This product contains a light source of energy efficiency class C



Electronic Equipment

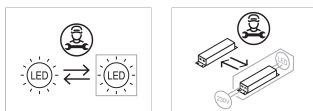
S: On/Off (AC/DC)
D: DALI-2/switchDIM/corridorFUNCTION
B: Bluetooth-Casambi

*Add the suffix **-S**, **-D**, **-B** after the reference to indicate your electronic equipment choice.

Finishes

1: RAL9010: Pure White, **2:** RAL9005: Jet Black, **4:** RAL7016: Anthracite Grey, **7:** RAL9006: White Aluminium

Upgradeable, Replaceable, Repairable



Note

LED technology and performance data are constantly changing. Current details should therefore be checked with ROVASI in order to ensure that it is still the most up to date reference. Updated data will be supplied on request. [Last revised on 23.05.2025]

5 years guarantee



BSI Cert ISO 9001:2015 - n°FM 39346
 BSI Cert ISO 14001:2015 - n°EMS 554685

ROVASI S.L.

Ronda de la Font Grossa, 15
 Pol. Ind. La Gavarra
 08540 Centelles | Barcelona
 Spain

Contact

T. +34 93 881 35 12 info@rovasi.com
 T. +34 93 881 37 13 www.rovasi.com